

080-0400
CompOne™
Compression Lock



TriMark's 080-0400 CompOne™ Compression Lock combines the compactness of a cam lock with smooth and secure pull-in functionality. Featuring 5mm of compression with a 180° turn of the key, this robust lock is intended for gasketed doors, is fully adjustable, water resistant and easy to install.

DESIGNED FOR:

- Light to medium on or off-highway panel and compartments where door gaskets require a compression lock to pull-in for a firm seal

Global Locations:

TriMark Corporation
500 Bailey Avenue
P.O. Box 350
New Hampton, Iowa 50659
United States
Tel: 641-394-3188
Fax: 641-394-2392
1-800-447-0343
www.trimarkcorp.com

TriMark Europe
Cedar Court
Walker road
Bardon Hill
Coalville LE67 1TU
United Kingdom
Tel: +44(0)1530 512460
Fax: +44(0)1530 512461
www.trimarkeu.com

TriMark (Xuzhou)
Building A5 Jingwu Road
Xuzhou Economic
Development Zone
Xuzhou, Jiangsu
221004 PR China
Tel: +86 516 8773 0018
Fax: +86 516 8773 0058
www.trimarkcn.com



TriMark. Interactive. Product. Selector



TriMark



TriMark Corporation

FEATURES/BENEFITS:

- The KeyOne™ Plus locking system allows the operation of multiple onboard locking hardware with a single key or the option to key differently
- Key-operated compression lock provides 5mm of compression with 180° turn of the key, helps reduce or eliminate noise and rattles caused by vibration.
- Internal and external gaskets resist water infiltration through the door
- Cam mounting allows for 8mm (.315") adjustment and cams are rotatable in 45° increments



MATERIAL:

- Sturdy die cast zinc alloy
- Fixing kits: Steel

FINISH:

- Head: Black chromate or chrome plated
- Steel components: Zinc plate and clear chromate conversion coat

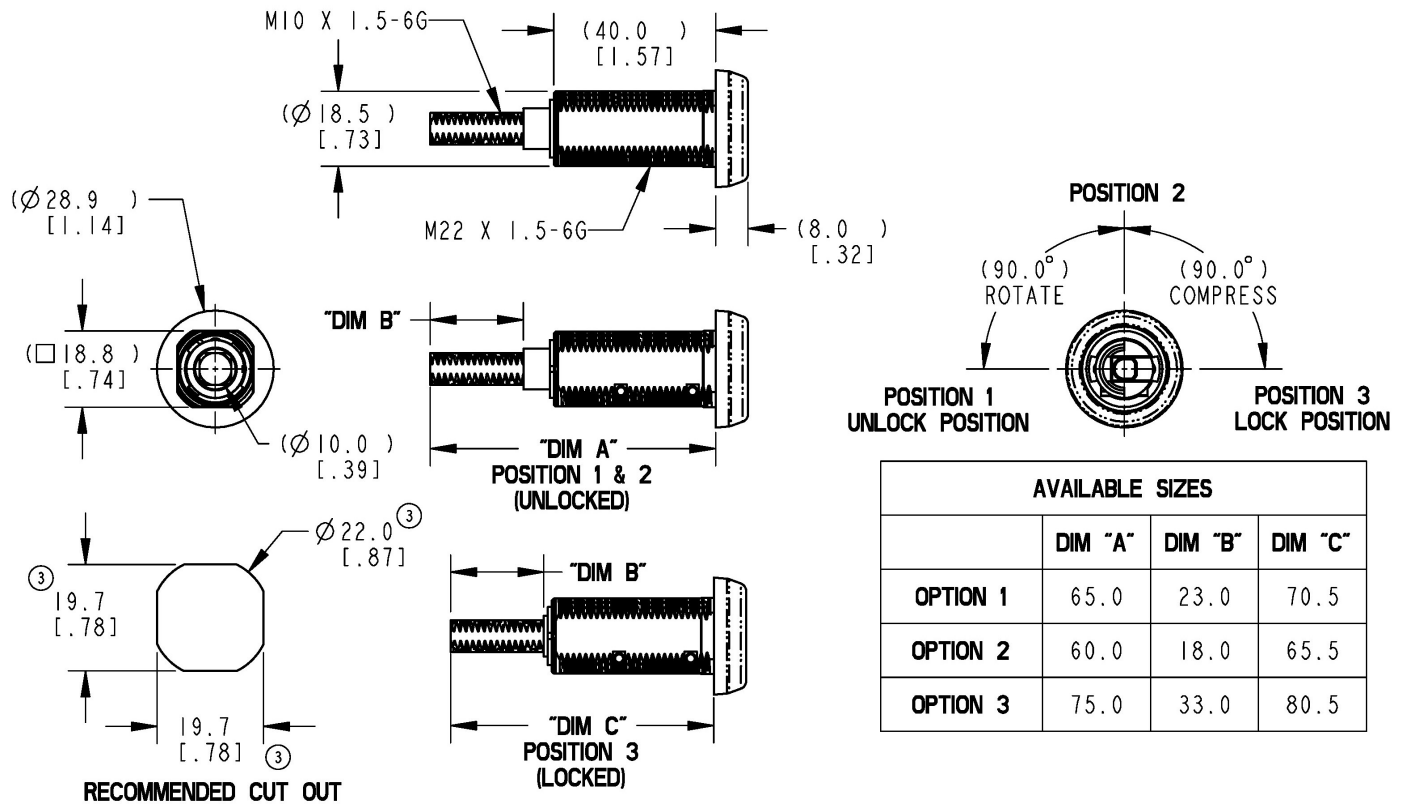
INSTALLATION:

- The product installs easily in a panel with supplied panel nut and vibration washer through a single mounting hole
- Panel thickness range up to 22mm (.866")
- Maximum mounting nut torque 30 N-m (22.1 lbs-ft)

U.S. Patent No. 8,746,022

Individual part dimensions are for reference only. Refer to individual part drawings for complete dimensions, specifications, and installation procedures. Engineering assistance and application drawings are available.

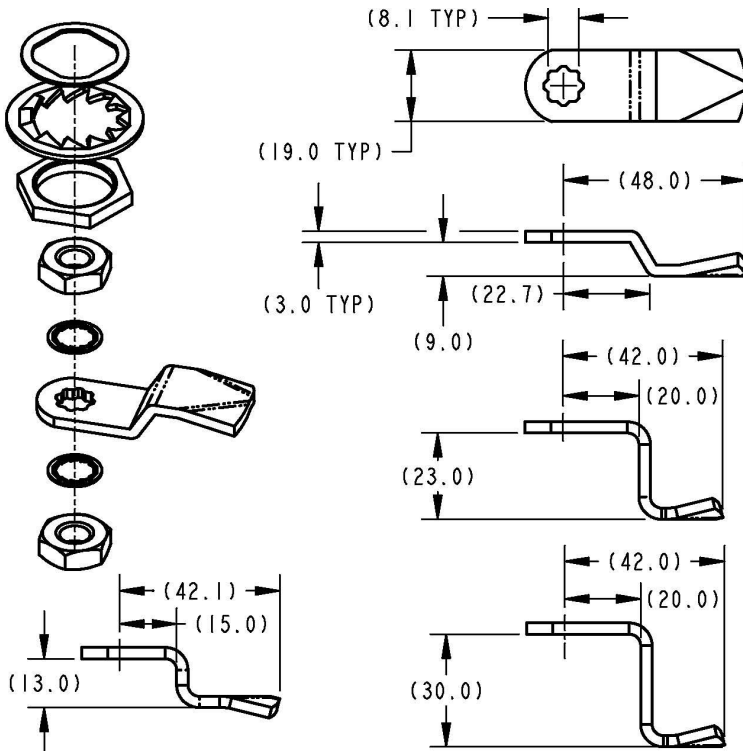
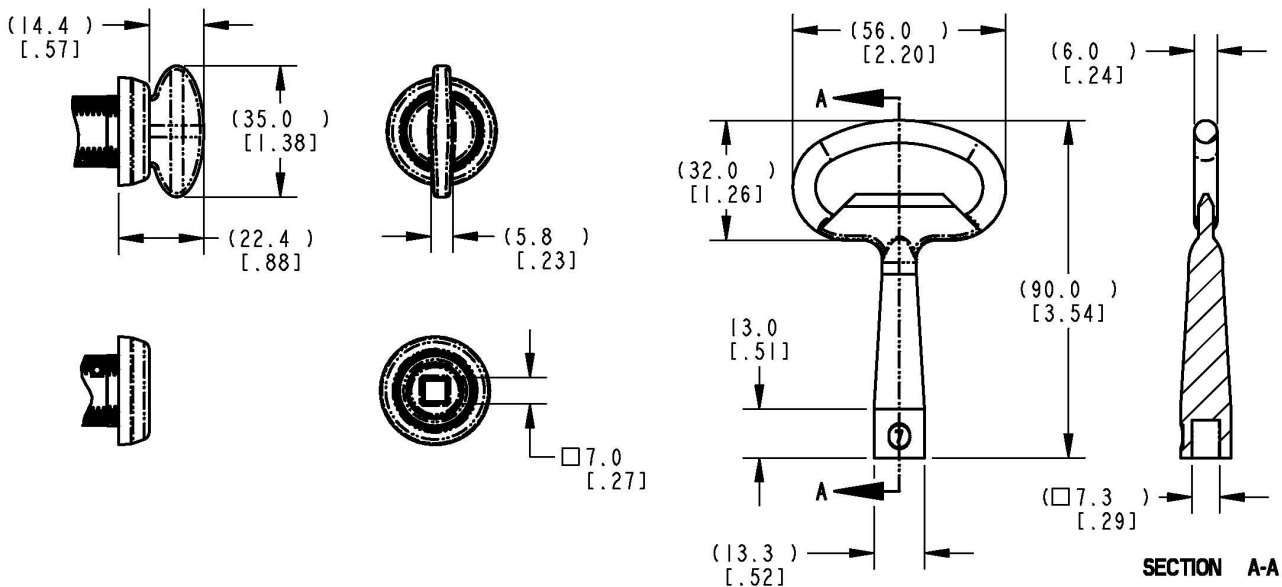
For more information visit
www.trimarkcorp.com



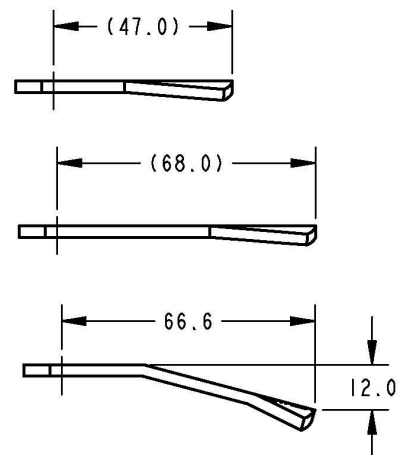
AVAILABLE SIZES			
	DIM "A"	DIM "B"	DIM "C"
OPTION 1	65.0	23.0	70.5
OPTION 2	60.0	18.0	65.5
OPTION 3	75.0	33.0	80.5

AVAILABLE:

- With various fixing kits consisting of mounting gasket, panel nut, anti-vibration mount washer, (2) cam nuts/washers and standard cam
- Special cams are available upon request
- Non-locking thumb turn and 7mm square drives are available in sturdy die cast zinc alloy with either low gloss black and chrome finish. Operation is smooth with detent rotation in latched and unlatched positions. Other tool drives are available upon request.



REVISION	ECO	ECO BY	DESCRIPTION
A	PRE-RLSE	JSM 11/11/10	CREATED
1	RLSE	JSM 11/11/10	RELEASED FOR PRODUCTION
2	38257	JSM 5/28/13	REVISED AND REDRAWN



LOCK CAM OPTIONS

